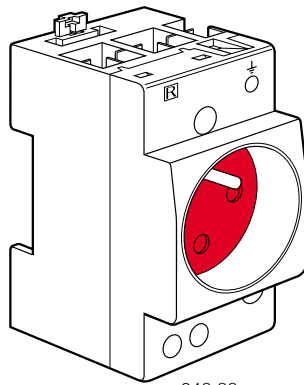
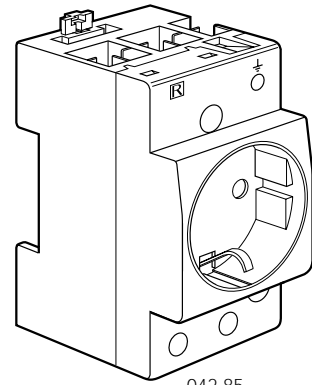


042 80



042 82

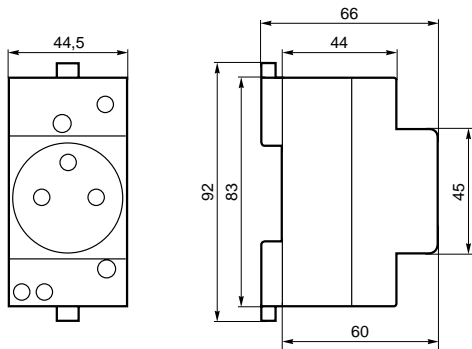


042 85

1. RANGE

- 10/16 A - 250 V±
- 2 P + E with safety shutters
- 2 P + E with safety shutters and tamperproof for protected or specialized circuits
- 2 P + E German standard

2. DIMENSIONS



3. ELECTRICAL CHARACTERISTICS

- Thermal current: 10/16 A
- Rated voltage 250 V
- Overvoltage category 1.2/50 μs: 4 kV_~
- Dielectric strength: 2 kV_~

4. REFERENCE STANDARDS

IEC 884-1
 NF C 61-303

5. MECHANICAL CHARACTERISTICS

• Environmental conditions

Storage temperature: - 10 °C to + 70 °C
 Operating temperature: - 5 °C to + 40 °C

- **Mechanical resistance:** IP xx3

5. MECHANICAL CHARACTERISTICS (continued)

• Materials

| | | | |
|----------|------------------------------|-------------------|---------------|
| Casing | Polycarbonate | Density | 1.18 to 1.25 |
| | | Bending module | > 2.20 GPa |
| | | Incandescent wire | 960 °C / 30 s |
| | | Oxygen index | ≥ 34 |
| | | Colour | Grey RAL 7035 |
| Screw | Zinc bichromate finish steel | | |
| Contacts | Nickel-plated copper | | |

6. INSTALLATION

• Wiring

Conductors permitted

| | |
|------------------------|---------------------------|
| Flexible with end caps | 1.5 to 6 mm ² |
| Rigid | 1.5 to 10 mm ² |

Tools required:

| | |
|------------------------|-----------------------|
| Flat blade screwdriver | ø 4 to 5.5 mm Pz 1 |
| Posidrive screwdriver | |

Tightening torque

| | |
|-------------|--------|
| Min. | 0.8 Nm |
| Max. | 1.8 Nm |
| Recommended | 1.2 Nm |

Cage terminals, with combined Posidrive, releasable and captive screws

Protection against direct contact: IP 2x

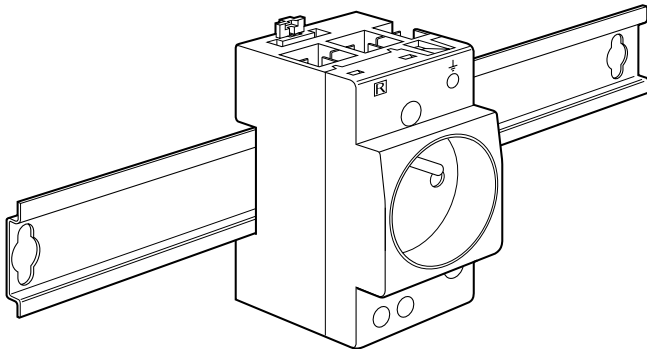
Slot on the top of the socket to allow the busbar to pass through

Busbar connection possible. For phase and neutral, connection from the bottom

6. INSTALLATION (continued)

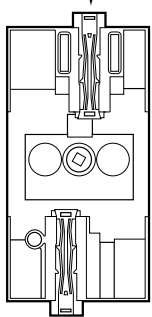
• Mounting

- Mounted on symmetrical rail EN 50-022



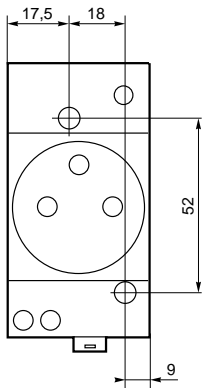
- Releasing the claws

2) push the claw downwards



1) Lift up with a screwdriver

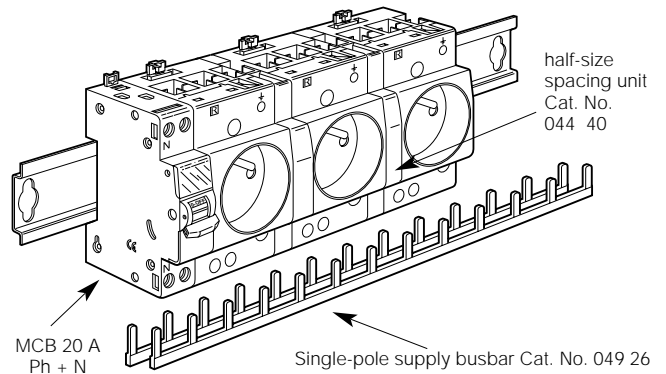
- On a plate (perforated or not) after releasing the top claw



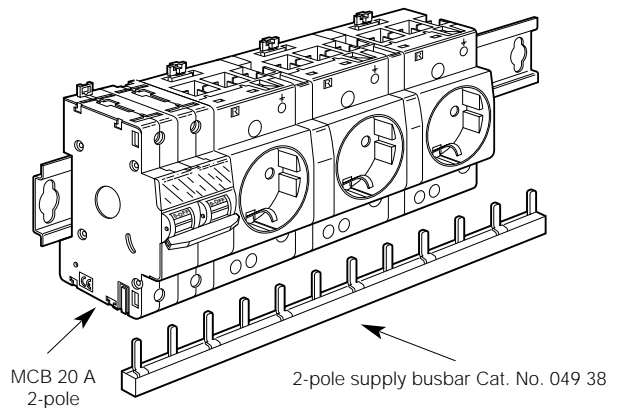
6. INSTALLATION (continued)

• Power supply from the bottom

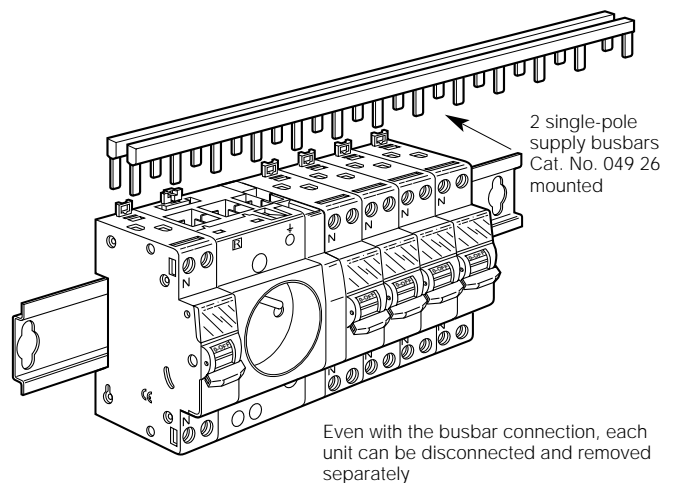
P + N - Cat. Nos. 042 80/82



2-pole - Cat. No. 042 85



Busbar passed through and held in place



Even with the busbar connection, each unit can be disconnected and removed separately

7. ACCESSORIES

7.1 Wiring accessories

Prong-type supply busbar Cat. No. 049 26

7.2 Miscellaneous accessories

Spacing unit Cat. No. 044 40

Mosaic 45 grid Cat. No. 748 72 for standard Mosaic socket

8. PROTECTION INDEX

Class II □
IP 2x