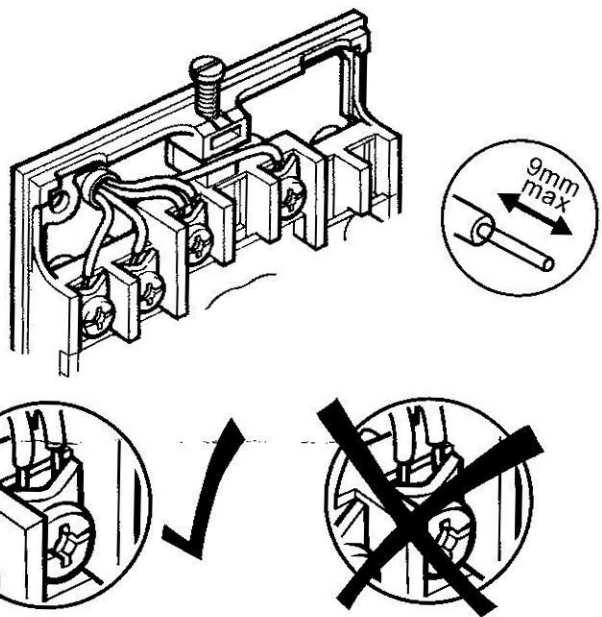
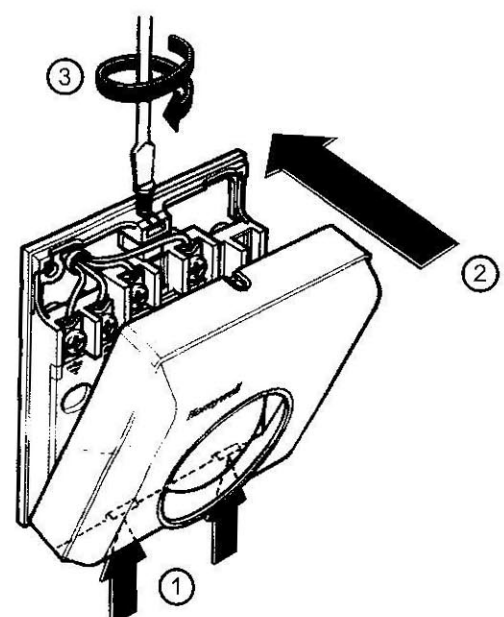


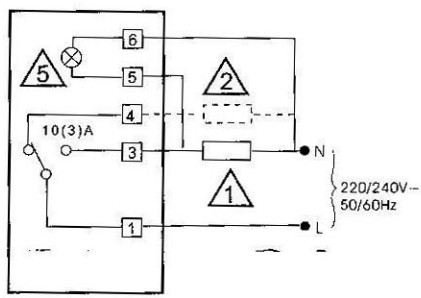
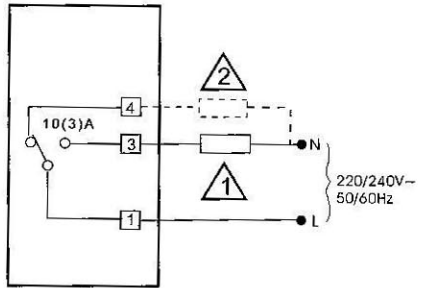
4



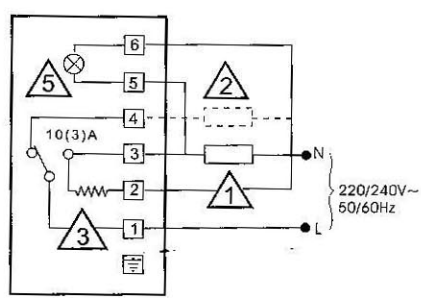
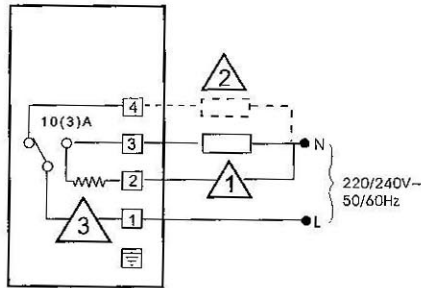
5



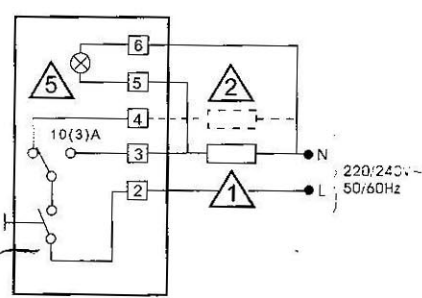
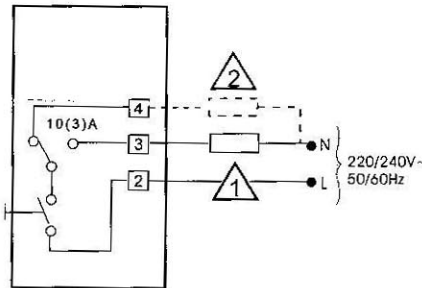
T6360A



T6360B



T6360C



	GB	FR	D	IT	ESP	NL	FI	SW	DK	N
1	HEATING LOAD	CHARGE CHAUFFAGE	HEIZLAST	APPARECCHIATURE DI RISCALDAMENTO	CARGA CALEFACCION	VERWARMINGSKRING	LAMMITYSKUORMA	LASTVARVE	VARMEBELASTNING	LAST OPPVARMING
2	COOLING LOAD	CHARGE REFRIGERISSMENT	KUHLLAST	APPARECCHIATURE DI RAFFREDDAMENTO	CARGA REFRIGERACION	KOELINGSKRING	JAAHDYTYSKUORMA	LAST-KY-LA	KOLEBELASTNING	LAST KJØLING
3	HEAT ANTICIPATOR	ACCELERATION THERMIQUE	THERMISCHE RUCKFUHRUNG	ANTICIPATORE TERMICO	ANTICIPADOR TERMICO	WARMTEVERSNELLINGS ELEMENT	ENNAKOINTIVASTUS	ACCELERATIONS-ELEMENT	ACCELERATOR	AKSELRAJONS ELEMENT
4	NIGHT SETBACK HEATER	CHAUFFAGE DE RALENTINOCTURNE	HEIZWIDERSTAND FÜR NACHTABSENKUNG	RISCALDATORE PER LA RIDUZIONE NOTTURNA	RESISTENCIA PARA DESCENSO NOCTURNO DEL PUNTO DE CONTROL	VERLAAGDE NACHTTEMPERATUUR	LAMMITYSVASTUS YOLAMPOTILAN ALENTAMISEKSI	ELEMENT FOR NATTNESATTNING	NAT SAENKNING HEATER	ELEMENT FOR NATTNEDSETTING
5	INDICATOR 1 AMP	LAMPE DE SIGNALISATION	MELDELAMPE	LAMPADA D'INDICAZIONE	LAMPARA SENALIZACION	SIGNAALLAMP	MERKKILAMPPU	INDIKERINGS-LAMPA	KONTROLLAMPE	INDIKERINGSLAMPE