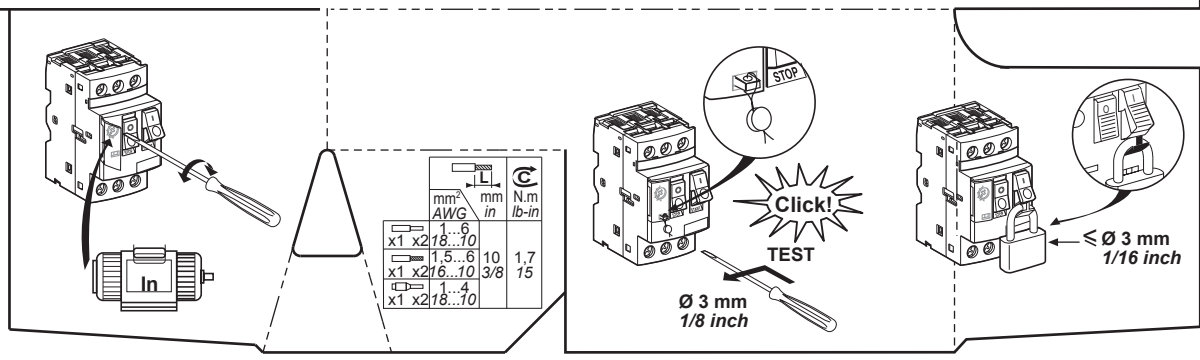


Schneider Electric Industries SAS
35, rue Joseph Monier
92506 Rueil Malmaison
France

www.schneider-electric.com
W9 1645571 0211-08

GV2ME●●
04 - 2016



⚠ ⚠ DANGER / 危险

HAZARD OF ELECTRIC SHOCK, EXPLOSION, OR ARC FLASH

Disconnect all power before servicing equipment.
Failure to follow these instructions will result in death or serious injury.

电击、爆炸或电弧闪光危险
在此电力设备上进行操作时，请先断开所有电源
不遵循上述规定将可能导致人员伤亡。

